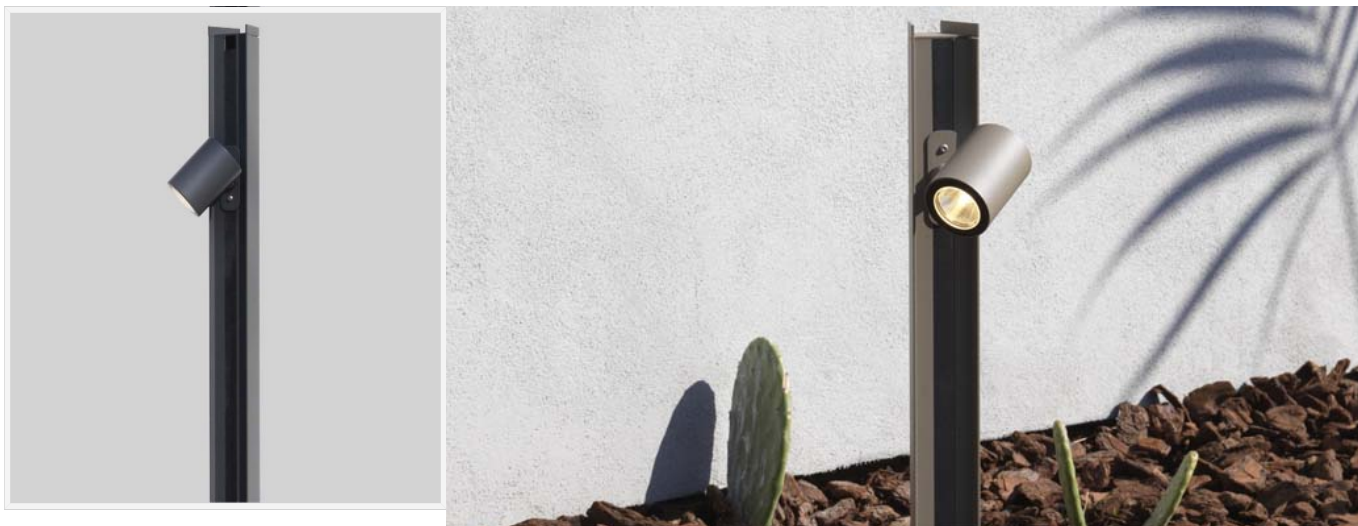


CACTUS POLE SYSTEM + WOLF



BESCHRIJVING

| | |
|--|---|
| Merk - Marque: | Exenia |
| Materiaal - Matériaux: | Die-cast Aluminium |
| Type: | Opbouw / Apparent |
| Afmetingen armatuur - Dimensions armature: | Catus Pole: 600 mm / 1000 mm / 2000 mm |
| Kleur - Couleur: | Rust Effect / Mud Brown / Matt Sand Carbon Grey / Wit Maat-Blanc Mat |
| Systeemvermogen - Puissance de système: | 6,7W / 13W |
| Bundel - Faisceau: | 6,7W: 15° / 25° / 35° / 50° 13W: 19° / 28° / 39° / 58° |
| Uitrusting - Equipement: | LED |
| Kelvin graden - Degré Kelvin: | 2700°K / 3000°K / 4000°K |
| Lumen: | 840 lm / 1690 lm |
| RA-CRI: | >85 (Only 3000°K) / >95 |
| Afkoeling - Refroidissement: | Passief - Passif |
| Voorschakelapp - Ballast: | LED driver (inclu.) |
| Bescherming - Protection: | IP65 & IK10 |
| Norm - Norme: | CE EN60598-1 |
| CIE fluxcode: | Op aanvraag - Sur demande |

Energetic Class:

Energy Class A+

Strip LED

DALI

Corrosion Resistant Coating for Hostile Environments

Optie - Option

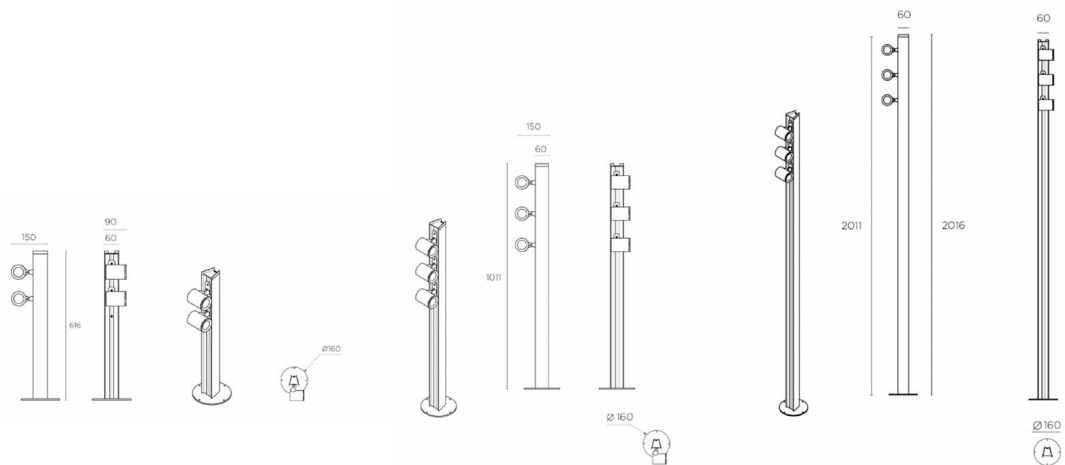
Coloured Rings:
Translucent / Orange Translucent / Green Translucent / Blue Translucent

Adjustable elliptical lens 14°x60°

Mounting Systems:
Wall Mount / Tree Mount / Stake Mount

24V / 48V

TECHNISCHE TEKENING



s.a. Be-Lighting Concept n.v.



Rue Communale 44 - 1083 Bruxelles
tel 70: (+32 02/241 09)
fax: (+32 02/426 17 90)

Gemeentestraat 44 - 1083 Brussel
info@be-lightingconcept.be
www.be-lightingconcept.be